



# DP-5000

PC Based Compact Printer

## Versatile printer for small work space

Large label roll for more efficient pre-packing

Adjustable operator display

High speed printing



DP-5000

*Searching for  
a New Balance*

## Features

- Front label loading mechanism makes label changing easy
- Large label roll for more efficient pre-packing
- Operator display with touch screen panel can be adjusted to fit operator's viewing preference
- Colourful 8.4" TFT touch screen display is eye-catching and easy to use



- High printing resolution at 300dpi on 80mm label

### More features...

Remote diagnostics, email alert, printing graphics on label and receipt, Open Database Connectivity (ODBC) and help mode for operators



## Options

- Attractive and informative electronics display provide seamless updating of product information with every printer database change



InfoCard  
226.4 x 170.4 x 18.0mm



e.LABEL  
85.0 x 73.5 x 15.8mm



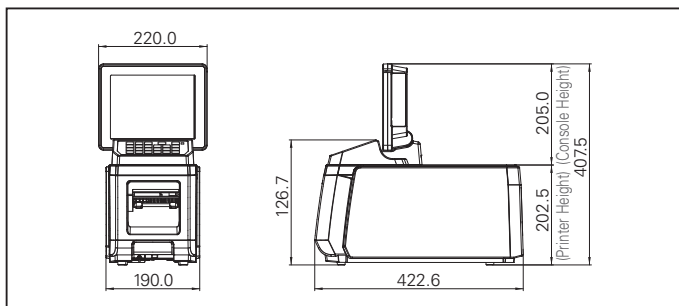
InfoTag  
65.4 x 39.0 x 11.5mm

- Linerless labels reduces paper waste and is environment friendly

## Model Variations

DPS-5000 Pre-pack scale  
DI-5000 Indicator

## Dimension (mm)



## Specifications

### Items Printed on Label

- Price
- Content
- Multi-Barcode
- Discount Price
- Commodity Name
- Ingredients
- Special Message
- Shop Name
- Dates: Packed on Date, Consume by Date
- Times: Packed on Time, Consume by Time
- Image
- Frames
- Nutrifacts
- Country of Origin
- Others

### Items Printed on Receipt (for Report)

- Shop Name
- Commodity Name
- Price
- Total Price
- Discount Price
- Sub Total
- Tax
- Grand Total
- Total Item Quantity
- Barcode
- Date
- Time
- Clerk Number
- Receipt Number
- Machine Number



Capacity / Single Interval	Max 6kg	Max 15kg / 30lb
1 / 3,000	e = 2g	e = 5g / 0.01lb
1 / 6,000 or 1 / 7,500	e = 1g	e = 2g

Dimension (L) x (W) x (H)	422.6 mm x 220 mm x 407.5 mm	
CPU	iMX31 533MHz	
Memory	Factory default 256MB / 512MB DDRAM 133MHz SD Card 8GB	
Display	8.4" TFT SVGA with Touch Panel	
Operator Display (Rotatable)	+/- 30 degree left and right; 90 degree up and down	
Weight	10.8kg	
Printing Mechanism	Print Method	Thermal Printing
	Paper Width	Maximum 80mm
	Print Resolution	300dpi
	Print Speed	150mm/s
Printing Media	Max Print Length	240mm
		Max Roll Diameter (Outer) 125mm Inner Roll Diameter 40mm
Barcode Type	Interleaved 2 of 5, EAN-8, EAN-13, EAN-128, RSS, PDF417 (for receipt only)	
Power Source	AC 100V / 220V	
Power Consumption	80W	
Operating Humidity	15% ~ 85% RH Non-Condensation	
Operating Temperature	-10°C to +40°C	
I/O Interface	USB, Ethernet 10/100 Base-T, RS-232 (Mini DIN), SD Socket	
Optional Interface	Wireless LAN (IEEE 802.11b/g)	



- Specifications are subject to change without prior notice
- Meet or exceed OIML Class III requirements

## TERAOKA WEIGH-SYSTEM PTE LTD.

4 Leng Kee Road #05-02/03/04/05/11  
SIS Building SINGAPORE 159088  
TEL : +65 6472 2996  
SALES: +65 6378 5387  
FAX : +65 6863 4614  
URL : www.teraoka.com.sg  
E-MAIL : bdd@teraoka.com.sg

## TERAOKA SEIKO CO., LTD.

13-12 Kugahara 5-chome, Ohta-ku,  
Tokyo 146-8580, JAPAN  
TEL : +81-3-3752-2131  
FAX : +81-3-3752-2801  
URL : www.digisystem.com  
E-MAIL : info@hq.digi.co.jp